

VE-DWVSS

24" Stainless Steel Top Control, Tall Tub Dishwasher



Available Finishes/Colors



VE-DWVSS
Stainless-Steel

KEY FEATURES

Fingerprint Resistant Finish

Fingerprint resistant exterior helps reduce smudges for an everyday great appearance.

Top Control Panel

Controls are tucked away on top of the dishwasher door for a clean look to match your kitchen style.

Quiet Performance

Creates a peaceful kitchen environment even as it delivers powerful wash performance, operating at 47 decibels.

14 Place Settings

Provides flexibility to wash a variety of dishes at once.

Flexible Wash Programs

Offers 8 wash programs including 'Auto', which automatically senses the optimal wash cycle for your dishes.

5 Wash Options

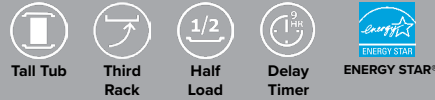
Wash options include half load, extra dry, extra rinse, sanitize, and hi-temp.

Third Level Cutlery Rack

Provides additional space for long and flat items like silverware, serving utensils and spatulas.

ENERGY STAR® Rated

Energy Star® rated dishwashers use less water and energy than standard models helping to save money on utility bills.



GENERAL PROPERTIES

Built-In Stainless Steel Tall Tub Dishwasher

Pocket/Recessed Handle

Stainless Steel Interior

FEATURES

Top hidden controls

14 Place settings

8 Wash Programs

5 Wash Options

Third level cutlery rack

Delay timer

End of program indicator

Quiet operation: 47 dB

3-in-1 Compatible washing tabs

Detergent and Rinse aid dispenser

PROGRAMS

Regular, Auto, Intensive Plus, Daily, Delicates, Super, Rinse.

OPTIONS

Half Load, Extra Dry, Extra Rinse, Sanitize, High-Temp.

TECHNICAL DETAILS

Product dimensions (W/H/D)

23⁹/₁₆" / 33⁷/₈"-35⁷/₈" / 22⁷/₁₆"

598mm / 860mm-910mm / 570mm

Cabinet dimensions (W/H/D)

23⁵/₈" / 33⁷/₈"-35⁷/₈" +ops 1⁷/₈" / 22⁷/₁₆"

600mm / 860mm -910mm+ops 50mm / 570mm

ELECTRICAL REQUIREMENTS

120 V / 60 Hz / 15 Amp

OTHER

Total Power: 1,400 Watts

Heater Power: 1,100 Watts

Water Pressure: 43.5-145 psi (0.3-10 bars)

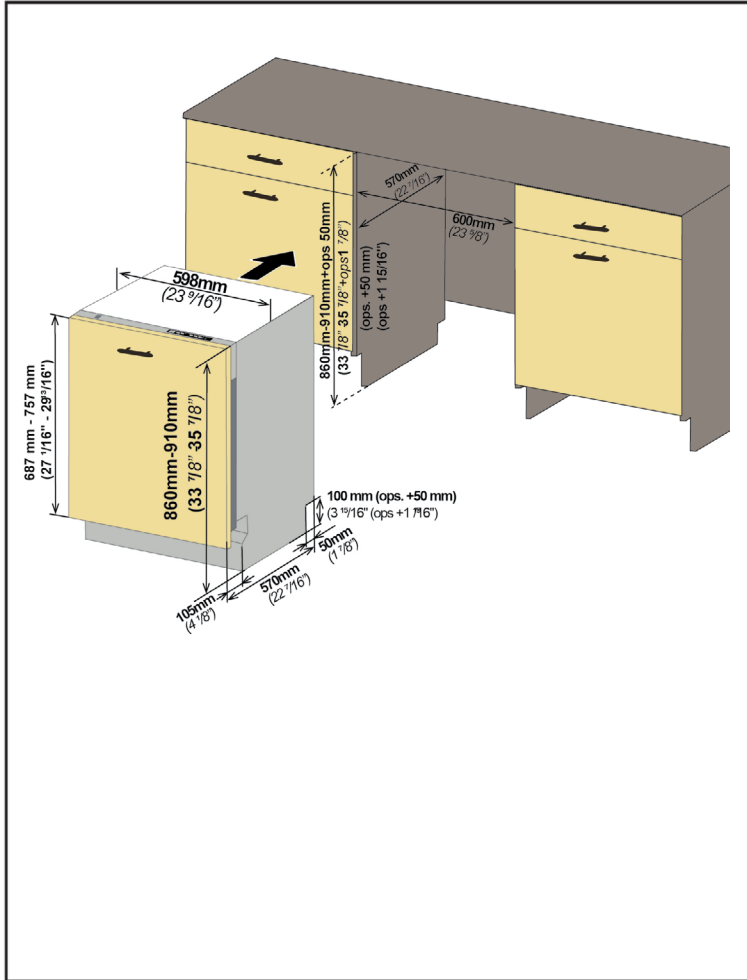
Energy Consumption: 270 kWh/yr.

ENERGY STAR®

PRODUCT DIMENSIONS (INCH/MM)

Width: 23^{9/16"} / **Height:** 33^{7/8"}-35^{7/8"} / **Depth:** 22^{7/16"}

Width: 598mm / **Height:** 860-910mm / **Depth:** 570mm



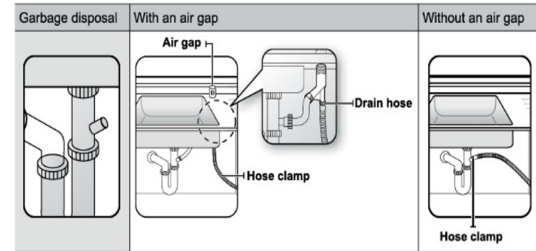
CUT-OUT DIMENSIONS (INCH/MM)

Width: 23^{5/8"} / **Height:** 33^{7/8"}-35^{7/8"}+ops 1^{7/8"} / **Depth:** 22^{7/16"}

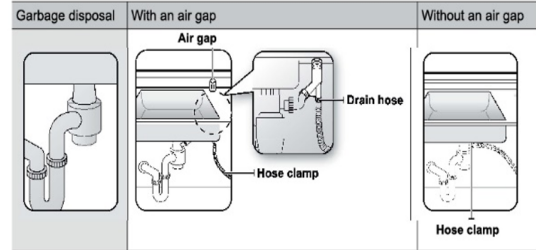
Width: 600mm / **Height:** 860-910mm + ops 50mm / **Depth:** 570mm

Drain Hose Connection, Water Supply and Electrical Connections

1. Drain Hose - There are several ways to insert the drain hose into the connector of the sink, as shown in the following figures. Ensure you connect the drain hose in accordance with the water pipe regulations in your region.



A. Without Disposal



B. With Disposal

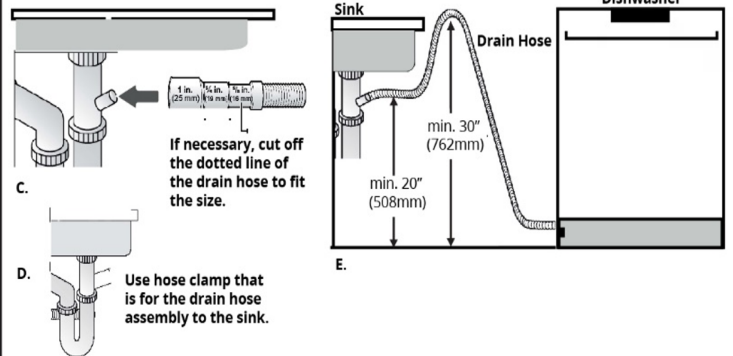
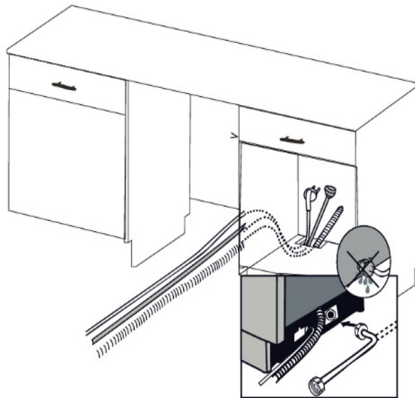
2. Check the size of the sink's drain hose connector. If needed, cut the drain hose so its end fits onto the sink connector (5/8", 3/4", or 1" as shown in (C) below). If the end of the drain hose does not fit onto the drain hose connector of the sink, use an adaptor purchasable at a plumbing/hardware supply store.

3. Slide hose clamp over the end of the drain hose. Attach drain hose to the sink connector and tighten the clamp. You must use a hose clamp. Failure to do so may cause water leakage.

4. If there is no air gap, make sure to hand the middle of the drain hose well above the sink cabinet base to prevent back flow (see Figure E below).

5. When drilling a hole for the drain hose on the cabinet wall, take caution not to damage the drain hose by sharp edges of the hole. Use sanding to soften wooden edges, use insulation tape or duct tape for metal walls to cover the sharp edges around the hole. To prevent leaks or drainage, make sure the drain hose is not damaged, kinked, or twisted.

Make sure all hoses are pulled through the side opening of the cabinet. No hoses are kinked and all slack is taken out.





WARRANTY INFORMATION

Porter & Charles Appliances are designed and manufactured to the highest standards. Each appliance is covered by a comprehensive 2-year parts and labour warranty. Refer to product warranty policy for complete terms and conditions.

FOR PARTS & SERVICE

Euro-Parts & Service
39822 Belgrave Road, Belgrave, ON. N0G 1E0 1 866 722 2262
www.euro-parts.ca • parts@euro-parts.ca • service@euro-parts.ca

Porter & Charles appliances are imported and distributed in North America by Euro-Line Appliances Inc. For more information, please visit one of our showrooms or www.ela.ca / www.elawest.ca

EURO-LINE APPLIANCES INC.

871 Cranberry Court, Oakville, ON
L6L 6J7 Canada
905.829.3980
1-800.421.6332
info@ela.ca

EURO-LINE APPLIANCES INC.

101-1014 Homer Street, Vancouver, BC
V6B 2W9, Canada
604.235.3980
1-855.ELA.WEST (352.9378)
info@elawest.ca